

SUBMITTAL/TECHNICAL DATA SHEET



DESCRIPTION

High Security Access Door provides access through openings in vertical or horizontal surfaces and is manufactured with detention-grade materials. This access door is engineered with a surface mount butt joint hinge on the surface of the door to prevent unwanted access.

FEATURES

- High Security
- Secure Hinges
- Custom Sizing

SPECIFICATIONS

MODEL: BHS

DOOR: 10 gauge Steel

FRAME: 2 inch by 3 inch by 3/16 inch Steel Angle

SIZE:
Min: 12 inches by 12 inches
Max: 48 inches by 54 inches

INSTALLATION: Wall

FLANGE: Exposed

HINGE: Heavy Duty Butt, Surface Mounted

FINISH: White Powder Coat

WARRANTY: 1 year

OPTIONS: Latches, Gaskets, Anchors and Materials

For a complete list of options visit www.AccessDoorsAndPanels.com



SKU: **B HS**

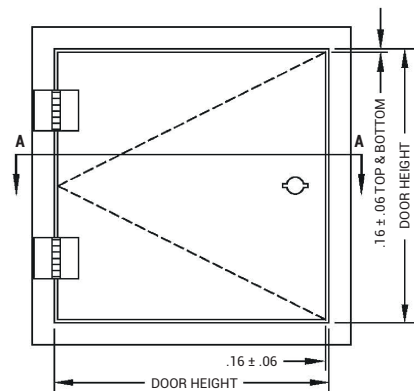
HIGH SECURITY ACCESS DOOR

DIMENSIONS AND APPEARANCE

>> CLICK TO VIEW ADDITIONAL DETAILS AND PRICING <<

ORDER GUIDE:

BASE	LATCH	WIDTH	X	LENGTH	OPTIONS
BHS					
	D - Detention Lock Prep	STANDARD SIZES (W X L)			S - Type 304 Stainless Steel
	M - Mortise Lock (1-1/8") Prep	12" X 12"	22" X 30"		Z - Continuous Concealed Hinge
	S - Security Screws	16" X 16"	24" X 24"		
		18" X 18"	24" X 36" *		
			24" X 40" *		
			24" X 48" *		



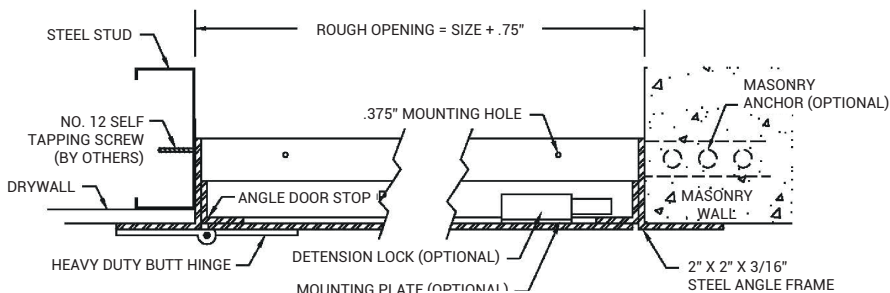
FRONT ELEVATION
NOT TO SCALE

ROUGH OPENING: W + 0.75 X H X 0.75

Rough opening is door size +3/4" minimum.
Additional sizes available, call for more information.

*Recommended for wall surfaces only.

FOR DETAILED SPECIFICATIONS SEE SUBMITTAL SHEET



PROJECT DATA

Custom Sizes Available - Fast!

PROJECT NAME :	QTY	W	H	OPTIONS
ARCHITECT :				
DEALER :				
CONTRACTOR :				
LOCATION :	SPECIAL INSTRUCTIONS :			
DATE :	SUBMITTAL APPROVAL : (signature or stamp)			
TAGGING INSTRUCTIONS :				

Scan  or  Click



To view Pricing and Additional Product Info.

TELEPHONE:
1-888-457-1275
FAX:
1-888-626-2907



PO BOX 66738 #76520,
SAINT LOUIS, MO
63166-6738
USA

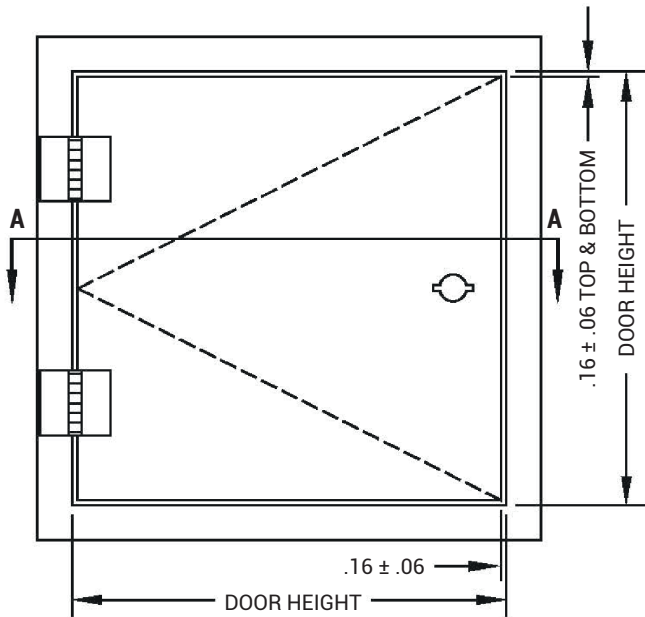


WEBSITE:
www.AccessDoorsAndPanels.com
E-MAIL:
info@AccessDoorsAndPanels.com



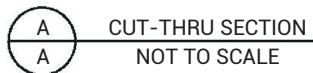
B HS

HIGH SECURITY-NON RATED ACCESS PANELS FOR ALL SURFACES



FRONT ELEVATION
NOT TO SCALE

ROUGH OPENING: $W + 0.75 \times H \times 0.75$



SPECIFICATIONS:

- 2" X 2" X 3/16" STEEL ANGLE FRAME
- 1" X 1" X 1/8" STEEL ANGLE DOOR STOP
- 10 GAUGE STEEL PLATE DOOR
- ALL EXPOSED JOINTS WELDED, FILLED AND GROUND SMOOTH
- WHITE BAKED ON POWDER COAT FINISH
- 4" X 4" BUTT HINGE WELDED TO DOOR AND FRAME
- PINNED ALLEN HEAD SECURITY SCREWS (STANDARD ON PANELS 24 X 24 AND LARGER)
- PREPARED TO MOUNT STANDARD DETENTION LOCK USING 5/16 - 18 X 1.75: FLAT HD PINNED TORX SECURITY SCREWS (SCREWS PROVIDED WHEN FACTORY FURNISHES LOCK)

OPTIONS:

- - PREPARATION FOR 1.125" MORTISE CYLINDER (CYLINDER PROVIDED BY OTHERS OR BY FACTORY)
- - PREPARATION FOR HEAVY DUTY DETENTION DEAD-BOLT LOCK (LOCK PROVIDED BY OTHERS OR BY FACTORY)
- - MASONRY ANCHORS ATTACHED

